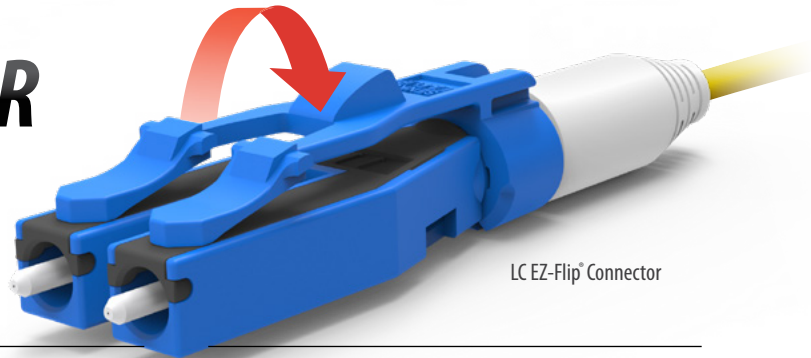


## LC *EZ-Flip*<sup>®</sup> CONNECTOR

### Switchable Polarity

### 2.0 mm and 3.0 mm Cable



LC EZ-Flip<sup>®</sup> Connector

SENKO's LC EZ-Flip<sup>®</sup> Connector delivers optimum performance and reliability with a robust and compact design. Its distinctive rotary latch feature sets it apart as the world's most user-friendly and swift LC polarity-switching connector. This connector is truly versatile, seamlessly linking modern high-speed duplex LC transceivers, traditional SFP 1G networks, and everything in between.

With its low-profile latch design and a range of compact, flexible boot options, the LC EZ-Flip<sup>®</sup> enables maximum patching density and efficient cable management. Achieving patch panel densities of 224 fibers in a 1U rack space is possible, while the insertion and removal of connectors remain manageable, thanks to optional push-pull tabs of varying lengths.

For added convenience, the LC EZ-Flip<sup>®</sup> is offered as a pre-assembled connector kit, enabling consistent LC connector performance with streamlined inventory management due to fewer components. This not only saves time by reducing assembly operations but also minimizes the risk of damage during the assembly process.

#### FEATURES

- Polarity reversal without twisting the fiber
- Visual A/B indicators for polarity check
- Pre-assembled option reduces termination time
- Flex angle and short boot options
- Push-pull tabs for high density applications
- Uniboot connector improves cable management
- Rugged housing design

#### APPLICATIONS

- High density ODFs (Optical distribution Frames)
- Duplex LC transceiver connections
- High-density fibre channel switches
- Hybrid uniboot patch cords combining EZ-Flip<sup>®</sup> LC to other connector types (e.g CS or SN)
- Hyperscale, edge, enterprise and colocation data

#### KEY BENEFITS

- ✓ **Optimized for patching**
- ✓ **Switchable polarity**

## Mechanical Data

	Value
Durability	500 matings per TIA-568
Fiber Count	Duplex (2 fibers)
Cable Suitability	2.0 mm/3.0 mm jacketed
Ferrule Material	Zirconia

## Optical Data

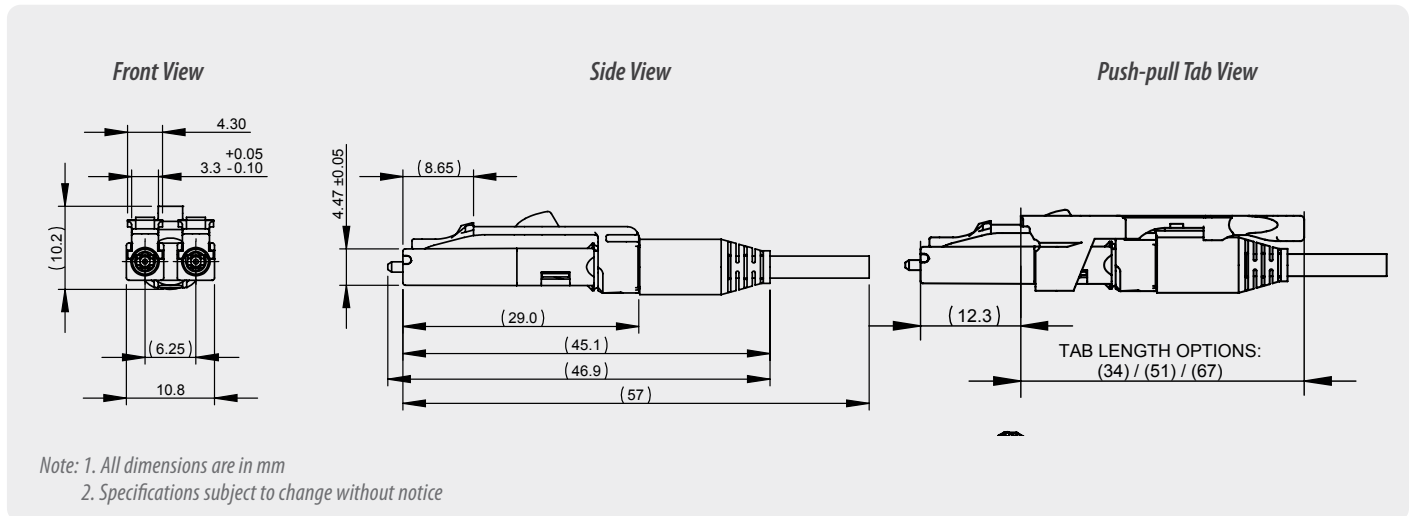
	Singlemode	Multimode
	UPC	MM
	Standard	Standard
Typical Insertion Loss (dB)*	0.12	0.15
Max. Insertion Loss (dB)*	0.30	0.30
Typical Return Loss (dB)*	≥55	≥25
Ferrule Diameter (µm)	125.5	127

\* Based on master grade jumper to low loss random mating test

## Environmental Data

	Value
Operating Temperature	-40°C to +75°C
RoHS Compliance	2015/863 RoHS
REACH Compliance	Yes
Free of Halogen	Yes
Humidity Resistance	95%

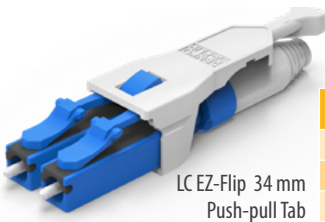
## 1-Channel Connector Drawing



CONNECTOR TYPE	FERRULE SIZE	HOUSING COLOR	BOOT TYPE	BOOT COLOR
94Q EZ Flip LC Uniboot	151 SM 125.5µm	1 Blue	C 2.0 mm	1 White
Premium Unassembled	251 MM 127µm	2 Beige	D 3.0 mm	2 Blue
9AQ EZ Flip LC Uniboot		5 Aqua	7 Flex-Angle 2.0 mm	3 Black
Premium Pre-assembled		6 Heather Violet	9 Flex-Angle 3.0 mm	

94Q - 151 - 1C1 ORDER CODE example

*Note: Push-pull tab is an optional component and sold individually without the connector*



PART NUMBER	
94Q-HDPP-34-W	EZ-Flip LC Uniboot, Push-pull Tab 34 mm
94Q-HDPP-51-W	EZ-Flip LC Uniboot, Push-pull Tab 51 mm
94Q-HDPP-67-W	EZ-Flip LC Uniboot, Push-pull Tab 67 mm

94Q-HDPP-34-W ORDER CODE example